

Magnetspannplatten
Polteilung 15 mm + 6.5 mm

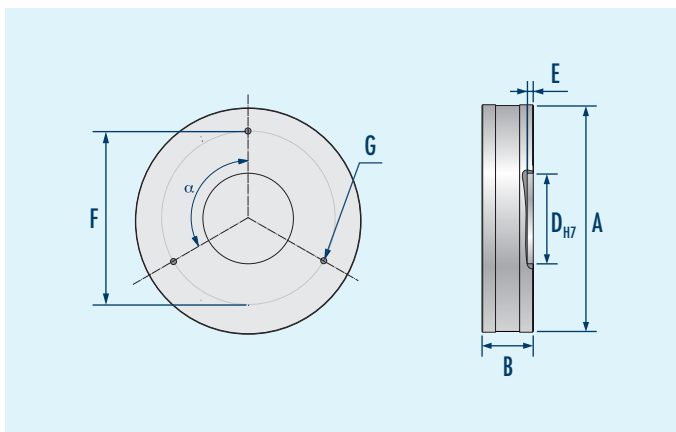
Magnetic chucks
Pole pitch 15 mm + 6.5 mm

MSC-PM 80A (Stahl/Harz / steel/resin)

Type	ID	Nennmaße Nominal dimensions [mm]						Winkel Angle α	Gewicht Weight [kg]	KEH Type
		$\varnothing A$	B*	D _{H7}	F	G	E			
MSC-PM80-A-250-69	0422306	250	68	120	230	M10	8	120°	35	KEH P01
MSC-PM80-A-300-69	0422308	300	68	120	270	M10	8	120°	50	KEH P01
MSC-PM80-A-400-69	0422312	400	68	120	270	M10	8	120°	88	KEH P01
MSC-PM80-A-500-69	0422316	500	68	120	270	M10	8	120°	153	KEH P01
MSC-PM80-A-600-74	0422318	600	74	180	270	M10	8	120°	195	KEH P01

Schleifringkontakt und Befestigungselement im Lieferumfang enthalten

Slip ring contact and fastening element included in the delivery scope



* B = ± 0.5 mm, höhengleiche Platten auf Anfrage

* B = ± 0.5 mm, same height of plates available upon request