

PHL

Gripping Modules

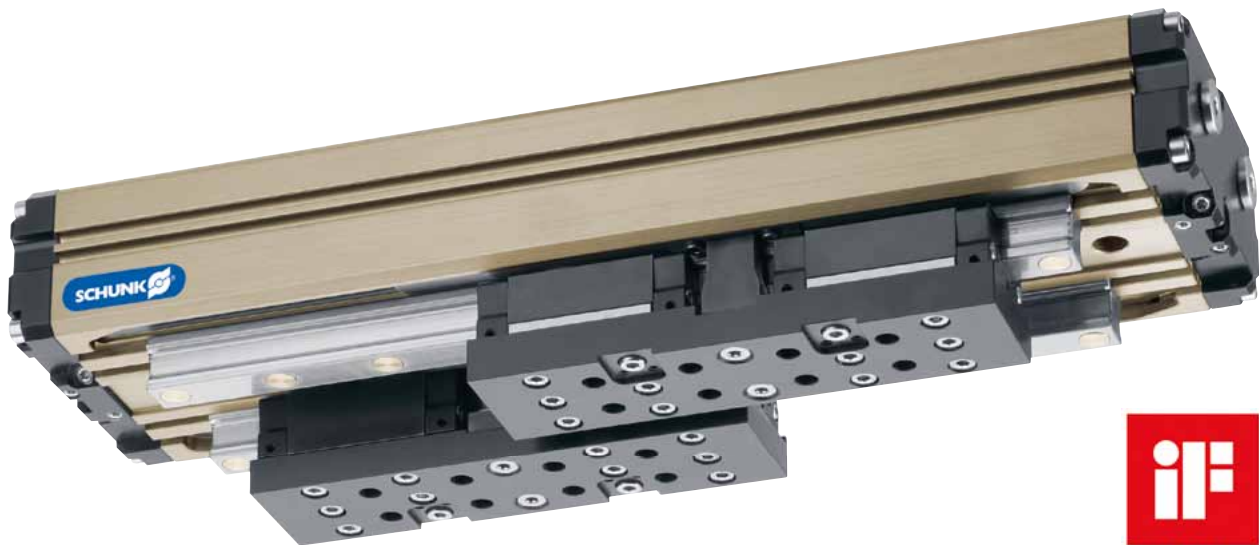
2-Finger Long-Stroke Gripper PHL: The new gripper generation

Choice of two guidance variants

The PHL is the first long-stroke gripper with the choice between multi-tooth guidance or profile rail guidance, which significantly increases the efficiency of the module. With powerful sliding multi-tooth guidance, the PHL is especially suitable for harsh environments. Profile rail guidance with roller bearings boosts the efficiency by about 25 percent.

Less air consumption

The new gripper generation significantly exceeds the performance of conventional long-stroke grippers with T-nuts or round guides. In the future, many applications will therefore be able to use smaller, less expensive and – due to the decreased air consumption – more efficient sizes. Alternatively, longer fingers can be used while maintaining approximately the same gripping force.



product
design
award

2011 ■

Diversity of variants!

More freedom in the process design.

PHL

Gripping Modules

New Product

Successor
product

New Sizes

Sizes 24 and 40 are immediately available – Sizes 32 and 63 are available from August 2012



Sizes
25 .. 63



Weight
1.5 kg .. 21 kg



Gripping force
390 N .. 3250 N



Stroke per finger
30 mm .. 160 mm



Workpiece weight
2.0 kg .. 16.6 kg

Product features

- Modular concept in 90 standardized variants
- Profile rail guidance boosts efficiency by about 25%
- Optionally available as a special sealed Viton version and as a high-temperature version for hot environments with temperatures up to 130 °C

Your advantage

- Lower system costs due to higher efficiency
- More compact system designs due to higher gripping forces in a smaller space
- More flexible system designs due to longer finger length in a smaller space

Function cross section

- 1 Base jaws for adaptation
- 2 Housing, weight-reduced
- 3 Multi-tooth guidance
- 4 Kinematics, rack-and-pinion principle
- 5 Protection against dirt and dust
- 6 Sensor for position monitoring

