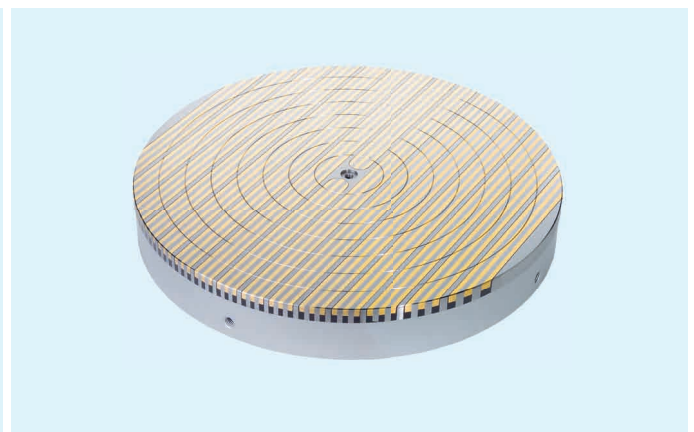
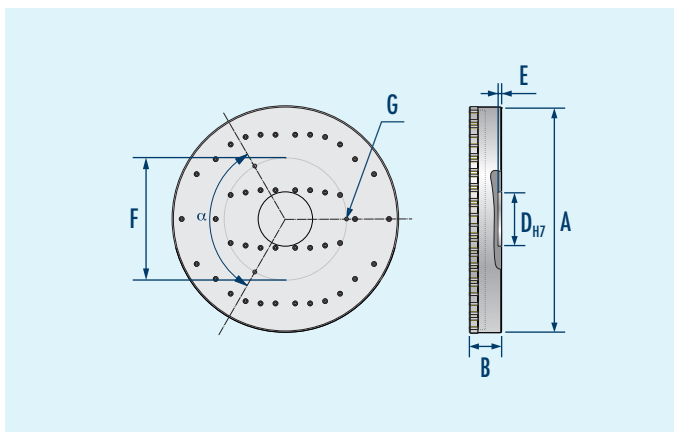


**Magnetspanplatten**  
**Polteilung 5 mm + 5 mm**
**Magnetic chucks**  
**Pole pitch 5 mm + 5 mm**
**MSC-PM81B(Stahl/Messing/steel/brass)**

Type	ID	Nennmaße Nominal dimensions [mm]						Winkel Angle $\alpha$	Gewicht Weight [kg]	KEHType
		$\varnothing A$	B*	D <sub>H7</sub>	F	G	E			
MSC-PM81-B-250-71	0422321	250	71	120	230	M10	8	120°	35	KEH P01
MSC-PM81-B-300-71	0422323	300	71	120	270	M10	8	120°	50	KEH P01
MSC-PM81-B-350-71	0422325	350	71	120	270	M10	8	120°	67	KEH P01
MSC-PM81-B-400-71	0422327	400	71	120	270	M10	8	120°	88	KEH P01
MSC-PM81-B-450-71	0422329	450	71	120	270	M10	8	120°	118	KEH P01
MSC-PM81-B-500-71	0422331	500	71	120	270	M10	8	120°	153	KEH P01
MSC-PM81-B-600-71	0422333	600	71	180	270	M10	8	120°	195	KEHP01

Schleifringkontakt und Befestigungselement im Lieferumfang enthalten

Slip ring contact and fastening element included in the delivery scope



\* B = ± 0.5 mm, höhengleiche Platten auf Anfrage

\* B = ± 0.5 mm, same height of plates available upon request